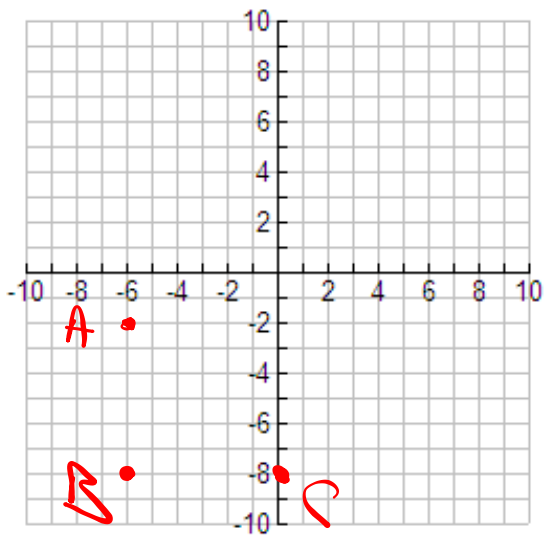
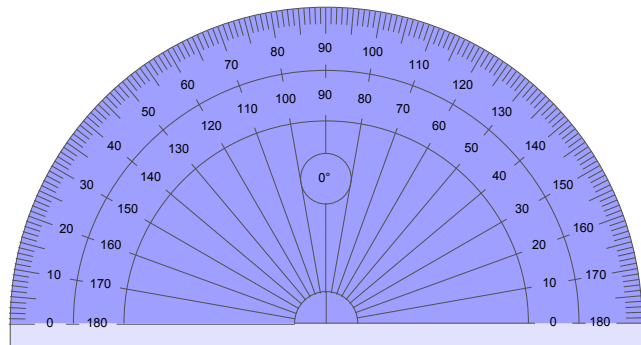
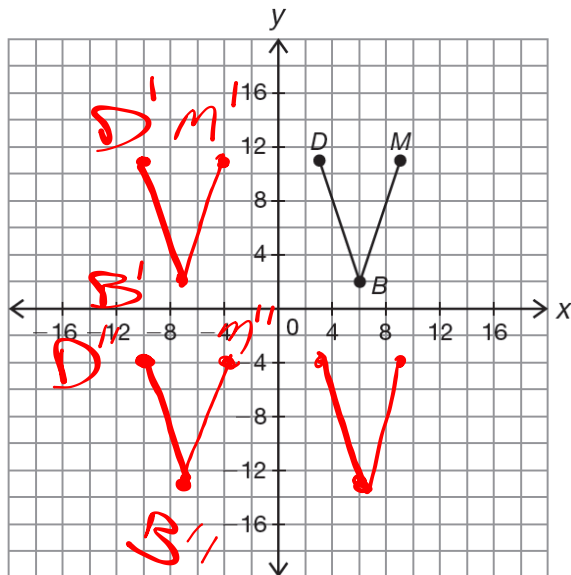


Warm-up 3/1/17

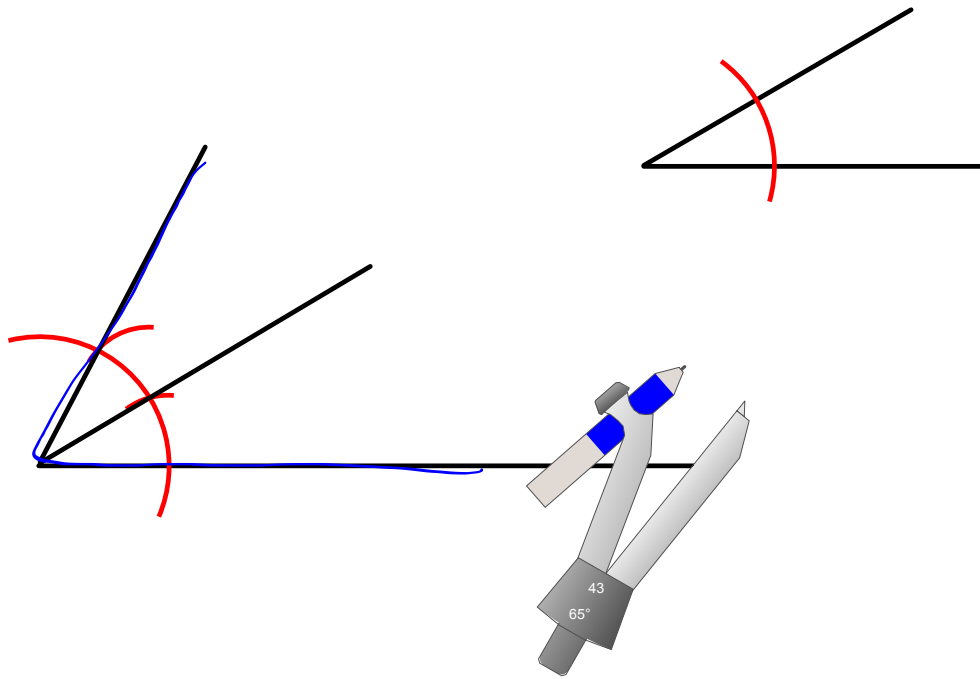
Plot the points A(-6, -2), B(-6, -8), and C(0, -8).



Pg. 682



Pg. 684



Pg. 686-687

